

HSF

NOTES:
 Current Rating:10A
 Voltage Rating:150V
 Contact Resistance:8milliohm Max
 Withstand Voltage:AC/DC 1000V
 Insulation Resistance:500Megohm Min
 Screw Torque: 2.0 lbf.in
 Wire range: 16AWG-26AWG

Housing Material:PBT UL94V-0
 Screw:Steel
 Contact:Brass
 Spring:SUS301

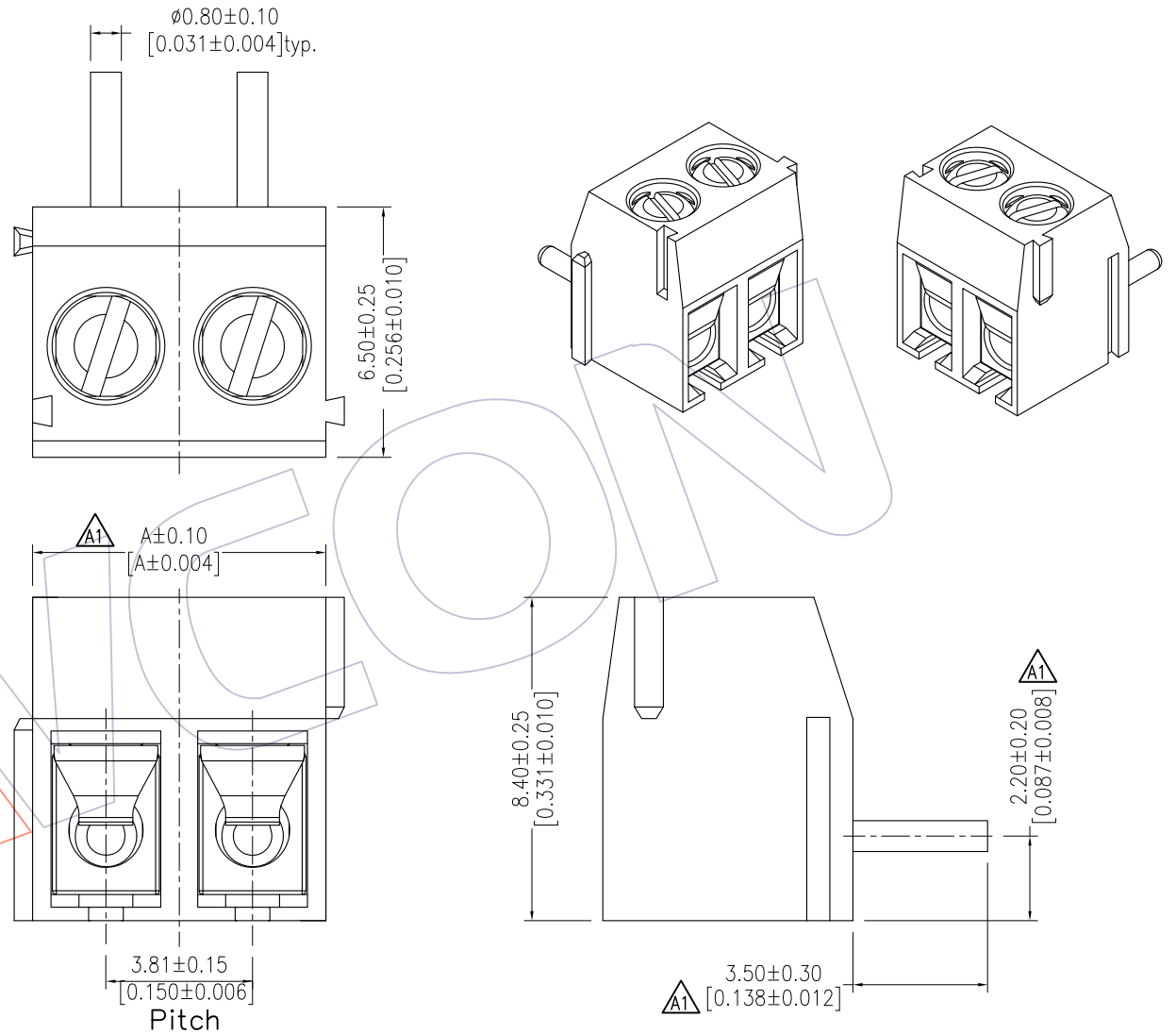
Ordering Information:

A H 381 - 084 R XX U SN 1 N

Pitch 381=3.81 Housing High 084=8.40 No.of Pins 02-20P Color U=Blue Contact Plated SN=Bright Tin

- NOTE:**
 4P=2P+2P
 5P=2P+3P
 6P=3P+3P
 7P=2P+2P+3P
 8P=3P+3P+2P
 9P=3P+3P+3P
 10P=3P+3P+2P+2P
 11P=3P+3P+3P+2P
 12P=3P+3P+3P+3P
 13P=3P+3P+3P+2P+2P
 14P=3P+3P+3P+3P+2P
 15P=3P+3P+3P+3P+3P
 16P=3P+3P+3P+3P+2P+2P
 18P=3P+3P+3P+3P+3P+3P
 19P=3P+3P+3P+3P+3P+2P+2P
 20P=3P+3P+3P+3P+3P+3P+2P

PINS	DIM A
2P	7.62
3P	11.43



REV	DATE	MODIFICATION DESCRIPTION	CHANGE	OPERATION	DRAW	DATE	SCALE	FIT	PART NO.
A2	16/12/14	ADD NOTE	$\triangle A2$	X.X	Surong Xu	16/12/14	UNIT	mm	AH381-084RXXUSN1N
A1	13/03/21	Modify	$\triangle A1$	X.XX	CHECK	DATE	SIZE	A4	
AO	13/01/14	NEW	—	X.XXX	APPROVE	DATE	SHEET	1/1	Customer NO.
REV	DATE	MODIFICATION DESCRIPTION	CHANGE	Angle DIM	$\pm 3'$ TOL	DATE	PROJ.	ϕ	

WCON
[Http: www.wcon.com](http://www.wcon.com)

WCON-Dongguan WCON-Kunshan
 Tel: +86 769 85358920 Tel: +86 512 57468408
 Fax: +86 769 85358915 Fax: +86 512 57468468
 E-mail: sales@wcon.com E-mail: salesks@wcon.com